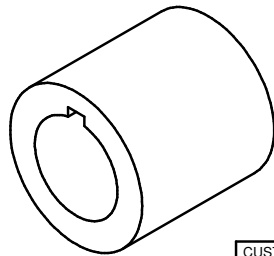
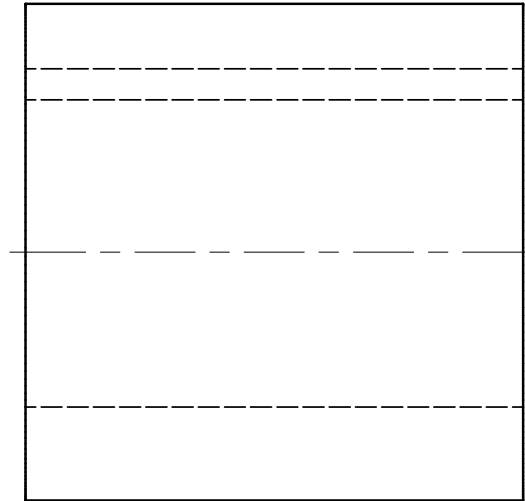
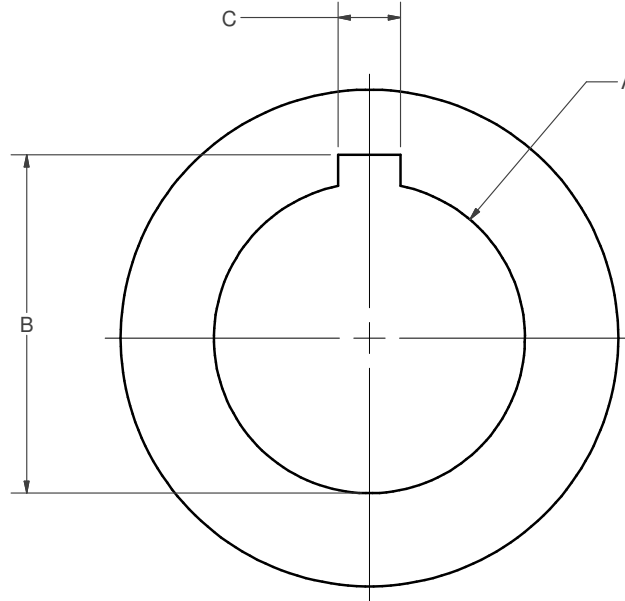


A	B ^{+0.010} _{-0.000}	C ^{+0.002} _{-0.000}
NOMINAL BORE DIAMETER	BOTTOM OF BORE TO TOP OF KEYWAY	WIDTH
0.3750	0.416	0.094
0.4375	0.480	0.094
0.5000	0.555	0.125
0.5625	0.618	0.125
0.6250	0.705	0.188
0.6875	0.769	0.188
0.7500	0.832	0.188
0.8125	0.896	0.188
0.8750	0.959	0.188
0.9375	1.046	0.250
1.0000	1.109	0.250
1.0625	1.173	0.250
1.1250	1.236	0.250
1.1875	1.299	0.250
1.2500	1.362	0.250
1.3125	1.449	0.313
1.3750	1.514	0.313
1.4375	1.599	0.375
1.5000	1.664	0.375
1.5625	1.726	0.375
1.6250	1.791	0.375
1.6875	1.853	0.375
1.7500	1.917	0.375
1.8125	2.026	0.500
1.8750	2.091	0.500
1.9375	2.154	0.500
2.0000	2.218	0.500
2.0625	2.281	0.500
2.1250	2.345	0.500
2.1875	2.408	0.500
2.2500	2.472	0.500
2.3125	2.581	0.625
2.3750	2.646	0.625
2.4375	2.708	0.625
2.5000	2.773	0.625



UNLESS OTHERWISE SPECIFIED		JRC WEB ACCESSORIES	
ALL DIAMETERS TO BE CONCENTRIC WITHIN 0.003		46 PASSAIC AVENUE FAIRFIELD, NJ 07004	
REMOVE ALL BURRS & SHARP EDGES		TITLE	
125 ✓		KEYWAY AND SHAFT DIMENSIONS	
CUSTOMER	DIMENSION	SIZE	DATE
FINISH	FRACTIONAL	DWG NO	
MATERIAL	ANGULAR	REV	
REFERENCE DRAWING	X.XX	B	
	X.XXX	B-8584	
	X.XXXX	SCALE	
		DRAWN	
		SHEET 1 OF 1	

4

3

2

1

4

3

2

1