

4

3

2

1

B

B

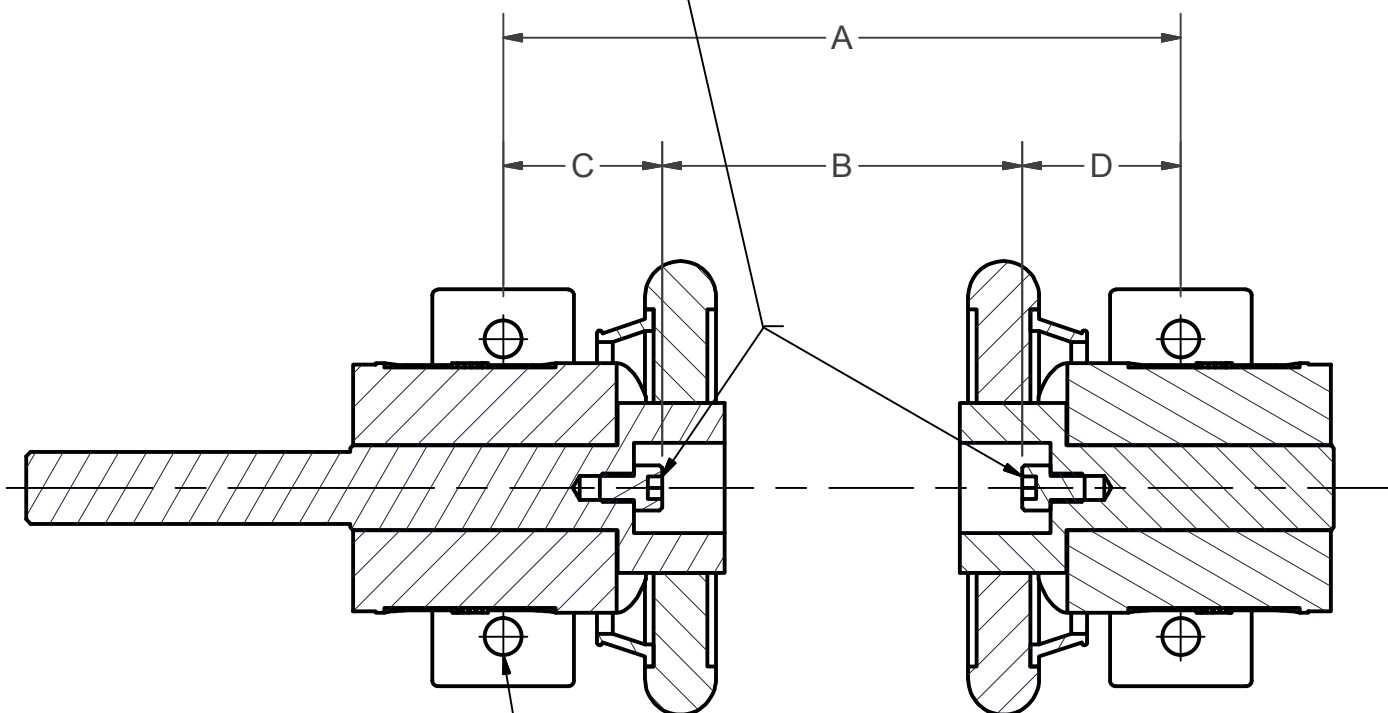
A

A

A

A

FINE TUNING AIR SHAFT FIT
 IF THERE IS TOO MUCH CLEARANCE
 BETWEEN THE AIR SHAFT AND THE
 SAFETY CHUCKS, THESE SOCKET
 HEAD CAP SCREWS CAN BE BACKED OUT.
 IF THERE IS NOT ENOUGH CLEARANCE,
 THE HEAD MAY BE GROUND DOWN.



SECTION A-A
 SCALE .375

SINGLE HOLE SHOWN
 (MODELS PIO/W28 AND PIO/W35)
 FOR DOUBLE HOLE MODELS
 (PIO/W50 AND PIO/W75)
 DIMENSION IS TO THE HOLE
 CLOSEST TO THE AIR SHAFT

A	B	C	D	E
Center to Center Safety Chuck Mounting Bolts	Pocket for Airshaft			Recommended Air Shaft Length
PIO/W28	A-4.402"	2.201"	2.201"	B-0.020"
PIO/W35	A-5.118"	2.559"	2.559"	B-0.020"
PIO/W50	A-4.488"	2.244"	2.244"	B-0.020"
PIO/W75	A-7.008"	3.504"	3.504"	B-0.020"

Example: A=70"
For PIO/W28, B=A-4.402"
 $B = 70" - 4.402" = 65.598"$
 $E = B - 0.020" = 65.598" - 0.020"$
 $E = 65.578"$
Length of Air Shaft = 65.578"

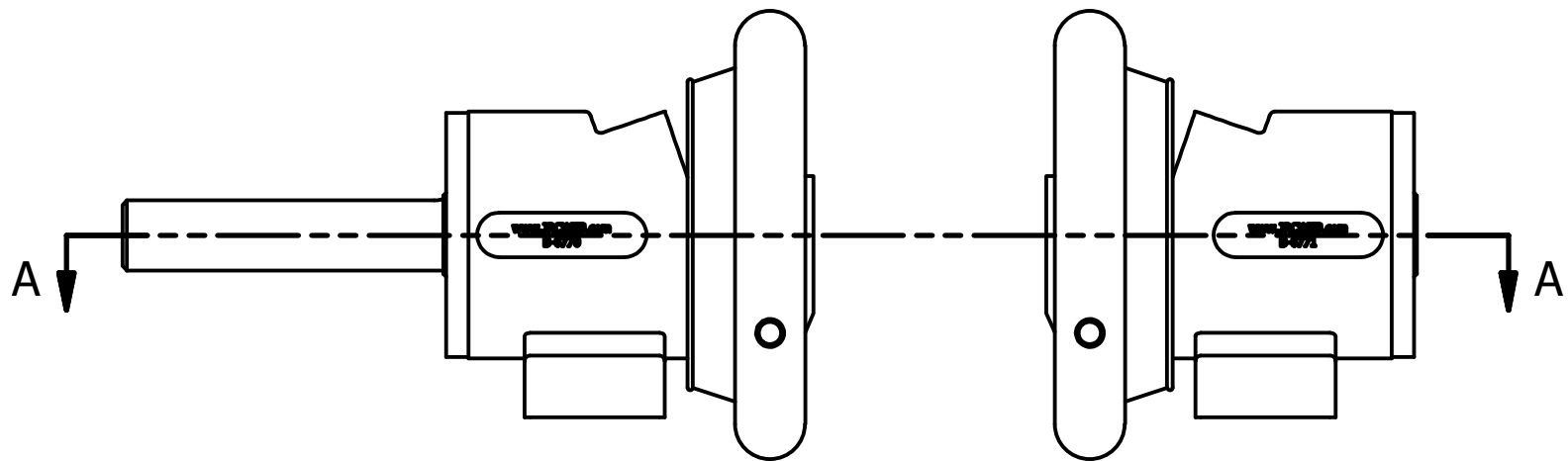
UNLESS OTHERWISE SPECIFIED	
ALL DIAMETERS TO BE CONCENTRIC WITHIN 0.003	
REMOVE ALL BURRS & SHARP EDGES	125 ✓

JRC WEB ACCESSORIES
 46 PASSAIC AVENUE FAIRFIELD, NJ 07004

CUSTOMER	DIMENSION	TOLERANCE ±
FINISH	FRACTIONAL	1/64
MATERIAL	ANGULAR	0.5°
REFERENCE DRAWING	X.XX	0.010
	X.XXX	0.005
	X.XXXX	0.0005

TITLE
LENGTH OF AIR SHAFT FOR FOOT MOUNTED SAFETY CHUCKS

SIZE	DATE	DWG NO	REV
B		B-8238	
SCALE	DRAWN	SHEET 1 OF 2	



UNLESS OTHERWISE SPECIFIED
 ALL DIAMETERS TO BE
 CONCENTRIC WITHIN 0.003
 REMOVE ALL BURRS
 & SHARP EDGES

125 ✓

JRC WEB ACCESSORIES
 46 PASSAIC AVENUE FAIRFIELD, NJ 07004

TITLE
**LENGTH OF AIR SHAFT FOR FOOT
 MOUNTED SAFETY CHUCKS**

CUSTOMER	DIMENSION	TOLERANCE ±
FINISH	FRACTIONAL	1/64
MATERIAL	ANGULAR	0.5°
REFERENCE DRAWING	X.XX	0.010
	X.XXX	0.005
	X.XXXX	0.0005

SIZE	DATE	DWG NO	REV
B		B-8238	
SCALE	DRAWN	SHEET 2	OF 2